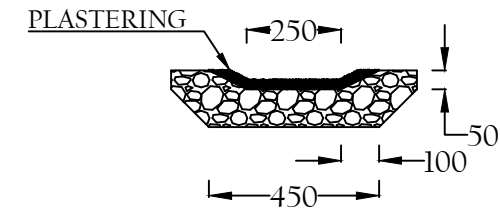


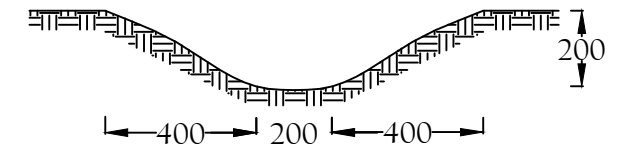
ISOMETRIC VIEW  
SCALE 1 : 50

NB:

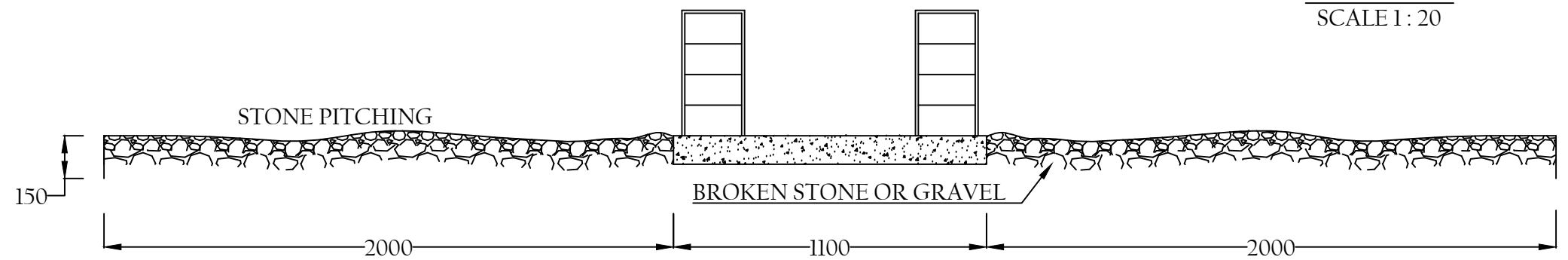
1. STRUCTURE IN 400 x 200 x 100mm CEMENT BLOCKS  
PLASTERED 1 : 3 MIX ON ALL SHOWING SURFACES
2. LENGTH OF TROUGH ACCORDING TO EXPECTED HERD SIZES  
L.T = 5.00m - SMALL CATTLE HERDS, GOATS AND SHEEP  
L.T = 10.00m - BIG CATTLE HERDS



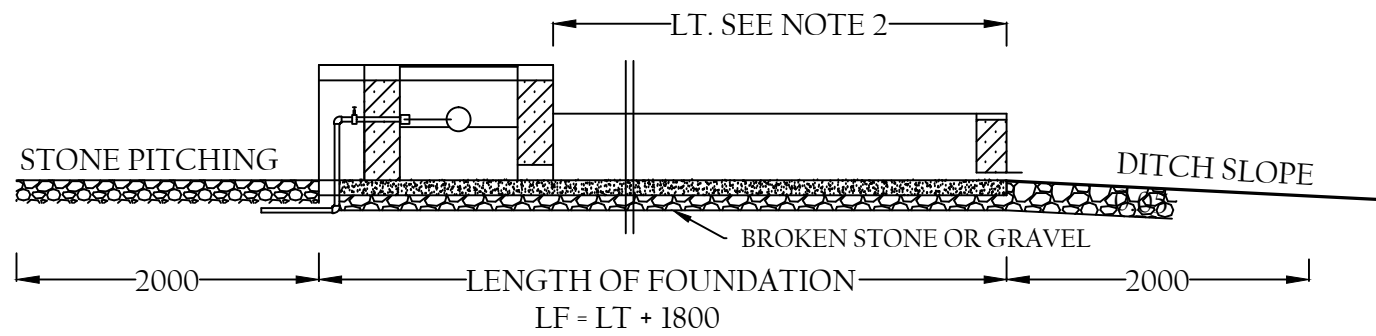
SECTION C-C  
SCALE 1 : 20



SECTION D-D  
SCALE 1 : 20



SECTION B-B  
SCALE 1 : 50



SECTION A-A  
SCALE 1 : 50

Client:			Location:		
Surveyed By:			File Name:	Scale: AS SHOWN	
Drawn By:			Project:		
Designed By:			Drawing Title:	CATTLE TROUGH	
Checked By:			Drawing No:	Rev:	Sheet:
Approved By:			TYPE DRAWING IV		6/17