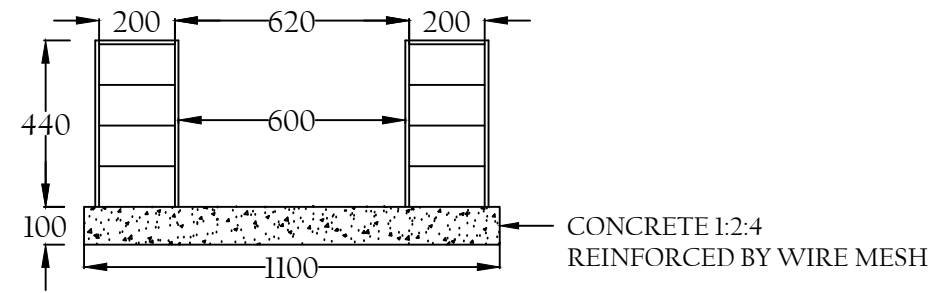
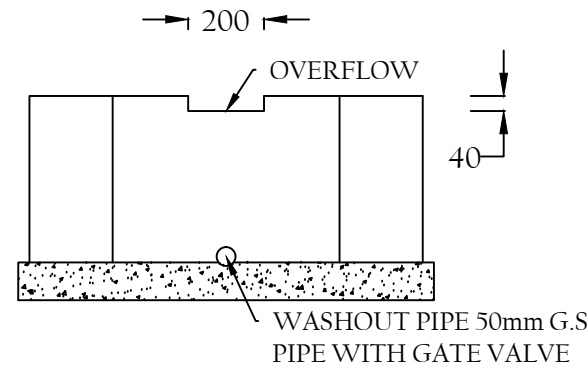


DITCH IS ONLY REQUIRED IF SURROUNDING AREA SLOPES TOWARDS TROUGH

PLAN  
SCALE 1 : 50

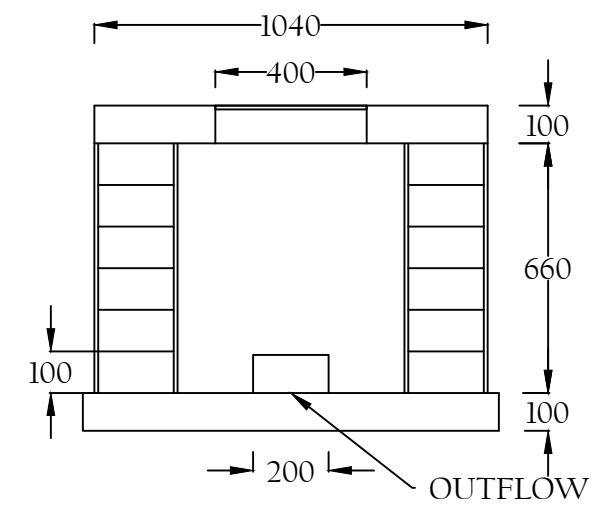


SECTION G-G  
SCALE 1 : 20

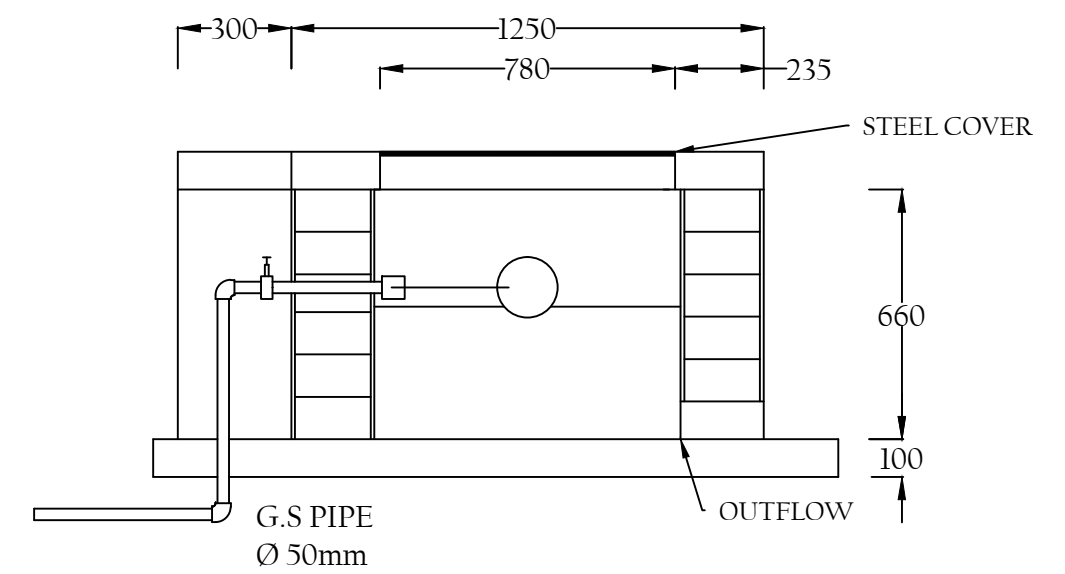


FRONT VIEW H-H  
SCALE 1 : 20

DITCH LEADING TO RIVER OR DEPRESSION



SECTION F-F  
SCALE 1:20



SECTION E-E  
SCALE 1 : 20

Client:		Location:	
Surveyed By:		File Name:	Scale: AS SHOWN
Drawn By:		Project:	
Designed By:		Drawing Title:	CATTLE TROUGH
Checked By:		Drawing No:	TYPE DRAWING IV
Approved By:		Rev:	Sheet: 5/17