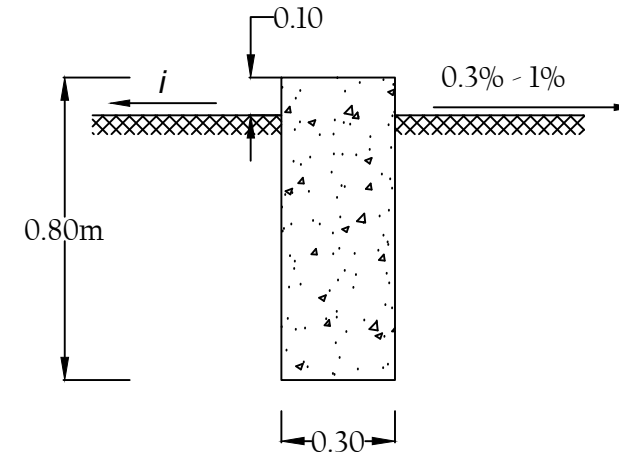
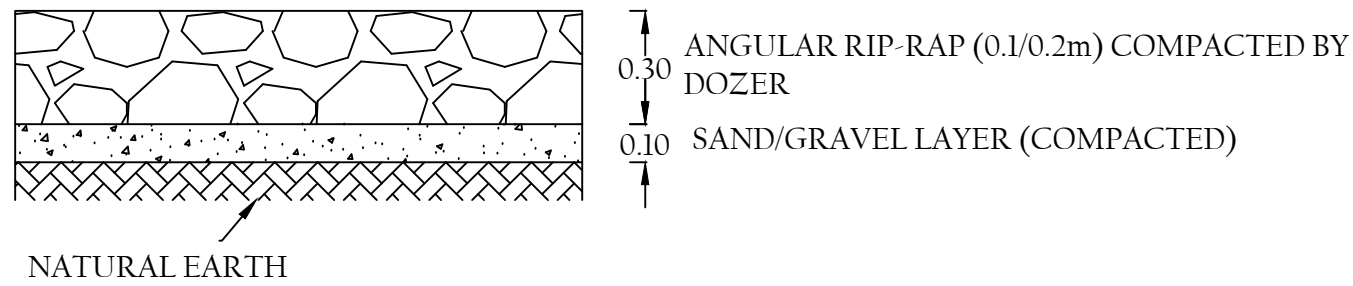


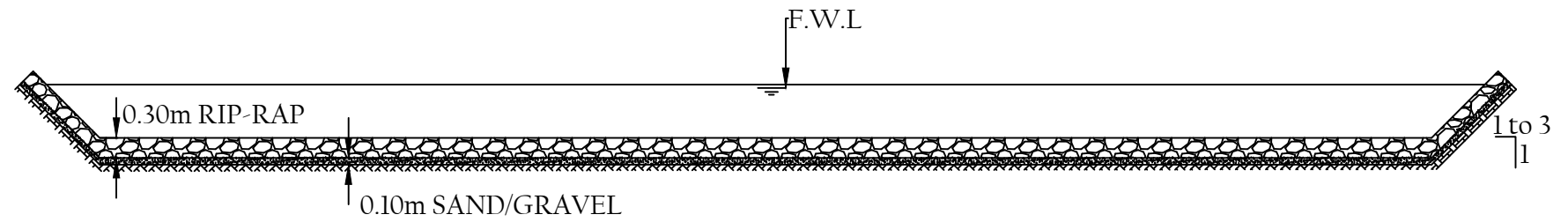
CROSS-SECTION A-A (SPILLWAY CREST)  
SCALE 1 : 100



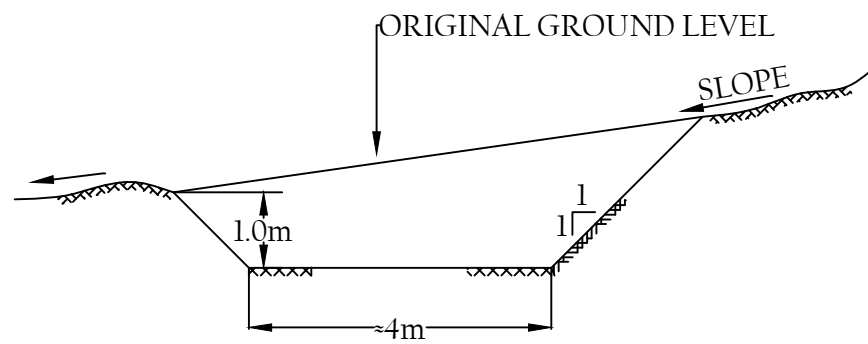
SILL CROSS-SECTION B-B  
SCALE 1 : 20



DETAIL OF SPILLWAY PROTECTION  
SCALE 1 : 20



CROSS-SECTION A-A (SPILLWAY DETAIL)  
SCALE 1 : 100



CROSS-SECTION B-B PROTECTIVE TRENCH  
SCALE 1 : 100

Client:			Location:		
Surveyed By:			File Name:		Scale: AS SHOWN
Drawn By:			Project:		
Designed By:			Drawing Title: SPILLWAY FOR SMALL EARTH DAMS		
Checked By:			Drawing No: TYPE DRAWING II	Rev:	Sheet: 3/16
Approved By:					