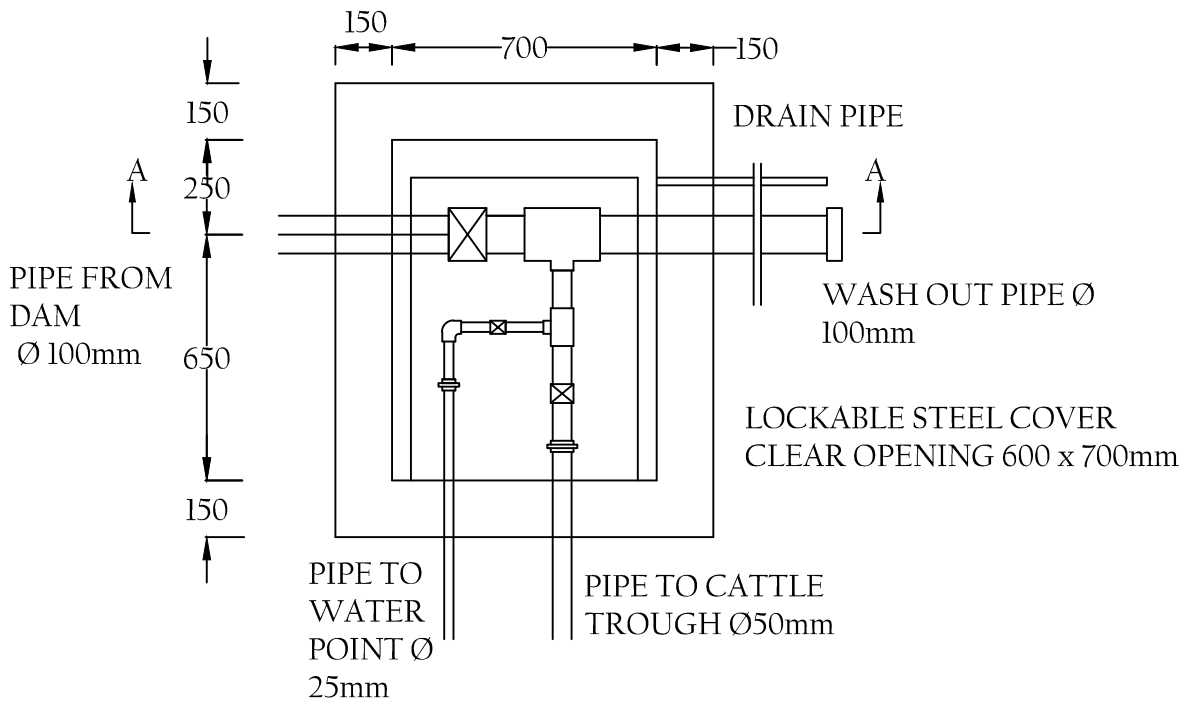
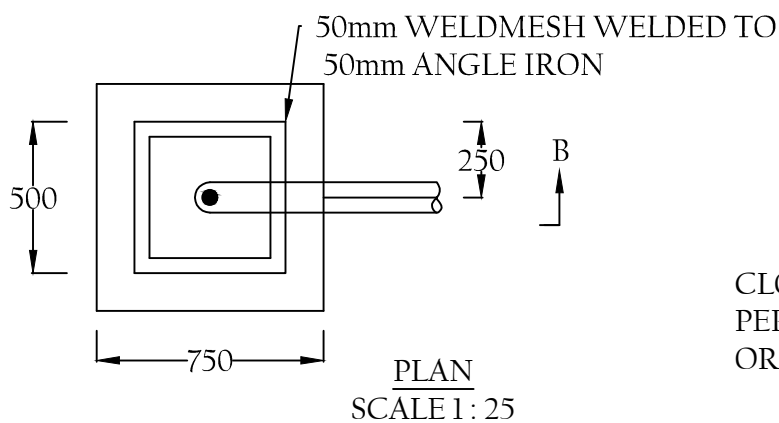


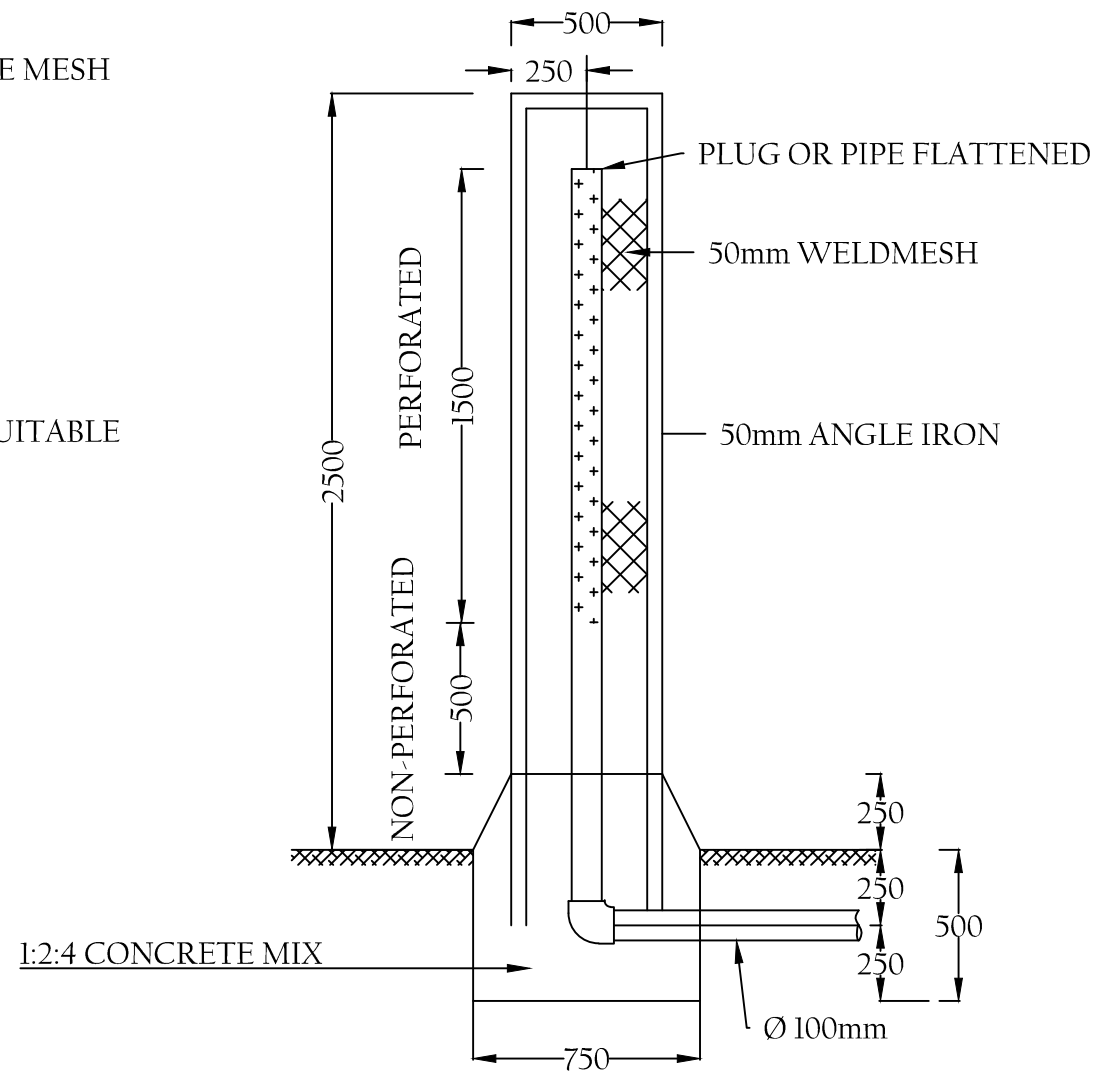
SECTION A-A
SCALE 1 : 20



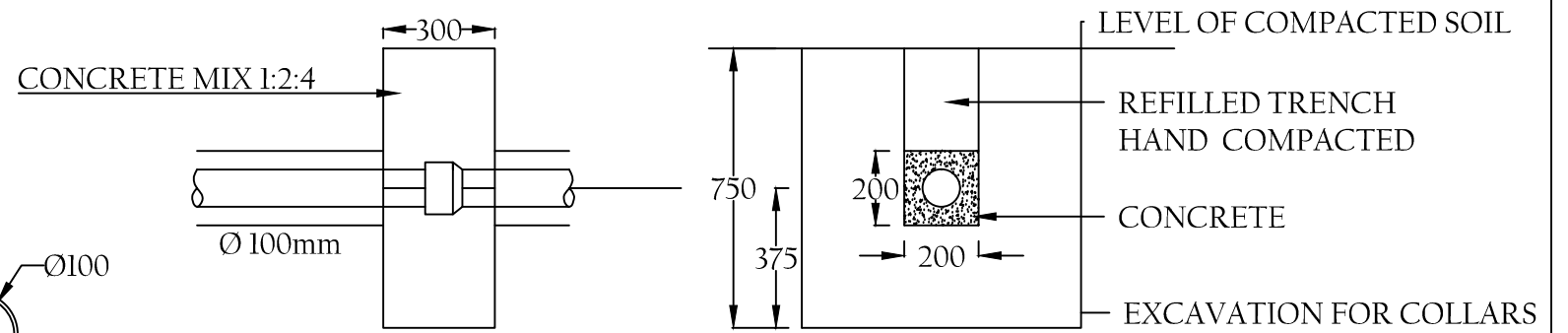
GROUND PLAN
SCALE 1 : 20



PLAN
SCALE 1 : 25

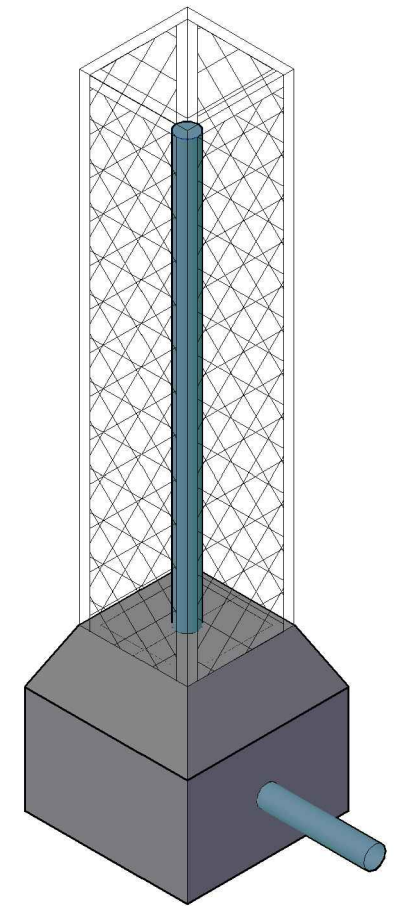


SECTION B-B
SCALE 1 : 25



DETAIL OF DRAW PIPE WITH COLLARS
SCALE 1 : 20

- COLLARS AROUND EVERY JOINT UNDER EMBANKMENT
- PIPE TO BE LAID IN EXCAVATION TRENCH EMBEDDED IN CONCRETE 1:2:4
- COLLARS TO BE CASTED STRAIGHT IN EXCAVATION, NO SHUTTERING TO BE USED



INTAKE STRUCTURE

| | | | |
|--------------|--|------------------|---------------------------------------------------------|
| Client: | | Location: | |
| Surveyed By: | | File Name: | Scale: AS SHOWN |
| Drawn By: | | Project: | |
| Designed By: | | Drawing Title: | INTAKE, DRAW OFF AND VALVE CHAMBER FOR SMALL EARTH DAMS |
| Checked By: | | Drawing No: | Rev: Sheet: 4/17 |
| Approved By: | | TYPE DRAWING III | |